

星形把手·有軸向軸承

EH 24700.

產品描述

軸向支承的優點：

- 藉由減少表面摩擦，能以相同握柄尺寸提供雙倍的固夾力道。
- 藉由固定的定位面提供工件的保護。
- 螺絲擁有更高的預夾力道，使安裝固定的需求也少。

材質

把手

- 熱可塑性塑膠 (PA)

內部零件

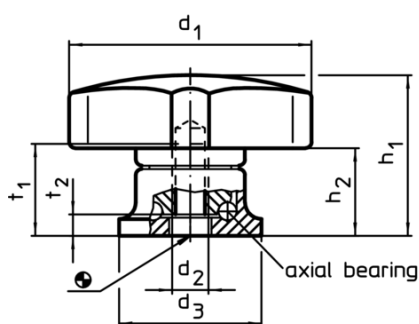
- 鋼、氮化、黑化

螺絲

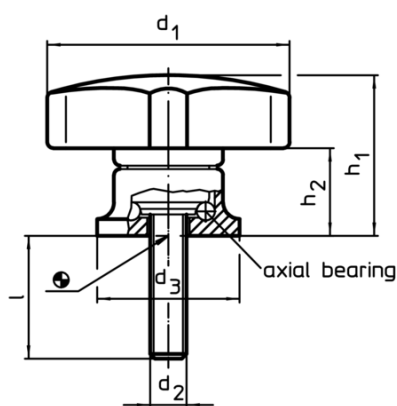
- 鋼、染黑、品質 8.8



圖面



picture 1



picture 2

訂單資訊

尺寸								max. [°C]	[g]	RoHS	REACH	品號
d ₁	d ₂	l +2	d ₃	h ₁ ~ [mm]	h ₂ ~	t ₁ min	t ₂					
有母牙 - 相片 1												
40	M 6	-	24	27	15,0	12,5	5,0	80	45	RoHS 認證	contains SVHC materials >0.1% w/w	24700.0040
50	M 8	-	25	34	22,5	14,0	4,2	80	68	RoHS 認證	contains SVHC materials >0.1% w/w	24700.0050
63	M10	-	30	41	26,5	18,0	5,4	80	108	RoHS 認證	contains SVHC materials >0.1% w/w	24700.0063
80	M12	-	35	54	34,0	26,5	6,6	80	212	RoHS 認證	contains SVHC materials >0.1% w/w	24700.0080
有螺絲 - 相片 2												
40	M 6	15	24	27	15,0	-	-	80	51	RoHS 認證	contains SVHC materials >0.1% w/w	24700.0042
40	M 6	25	24	27	15,0	-	-	80	52	RoHS 認證	contains SVHC materials >0.1% w/w	24700.0044
50	M 8	20	25	34	22,5	-	-	80	81	RoHS 認證	contains SVHC materials >0.1% w/w	24700.0053

d ₁	d ₂	l +2	d ₃	尺寸				max. [°C]	[g]	RoHS	REACH	品號
				h ₁ ~ [mm]	h ₂ ~	t ₁ min	t ₂					
50	M 8	35	25	34	22,5	-	-	80	86	RoHS 認證	contains SVHC materials >0.1% w/w	24700.0056
63	M10	30	30	41	26,5	-	-	80	135	RoHS 認證	contains SVHC materials >0.1% w/w	24700.0066
63	M10	40	30	41	26,5	-	-	80	140	RoHS 認證	contains SVHC materials >0.1% w/w	24700.0068
80	M12	30	35	54	34,0	-	-	80	258	RoHS 認證	contains SVHC materials >0.1% w/w	24700.0083
80	M12	50	35	54	34,0	-	-	80	271	RoHS 認證	contains SVHC materials >0.1% w/w	24700.0087

應用範例

