

定位梢·有球形端

EH 22630.



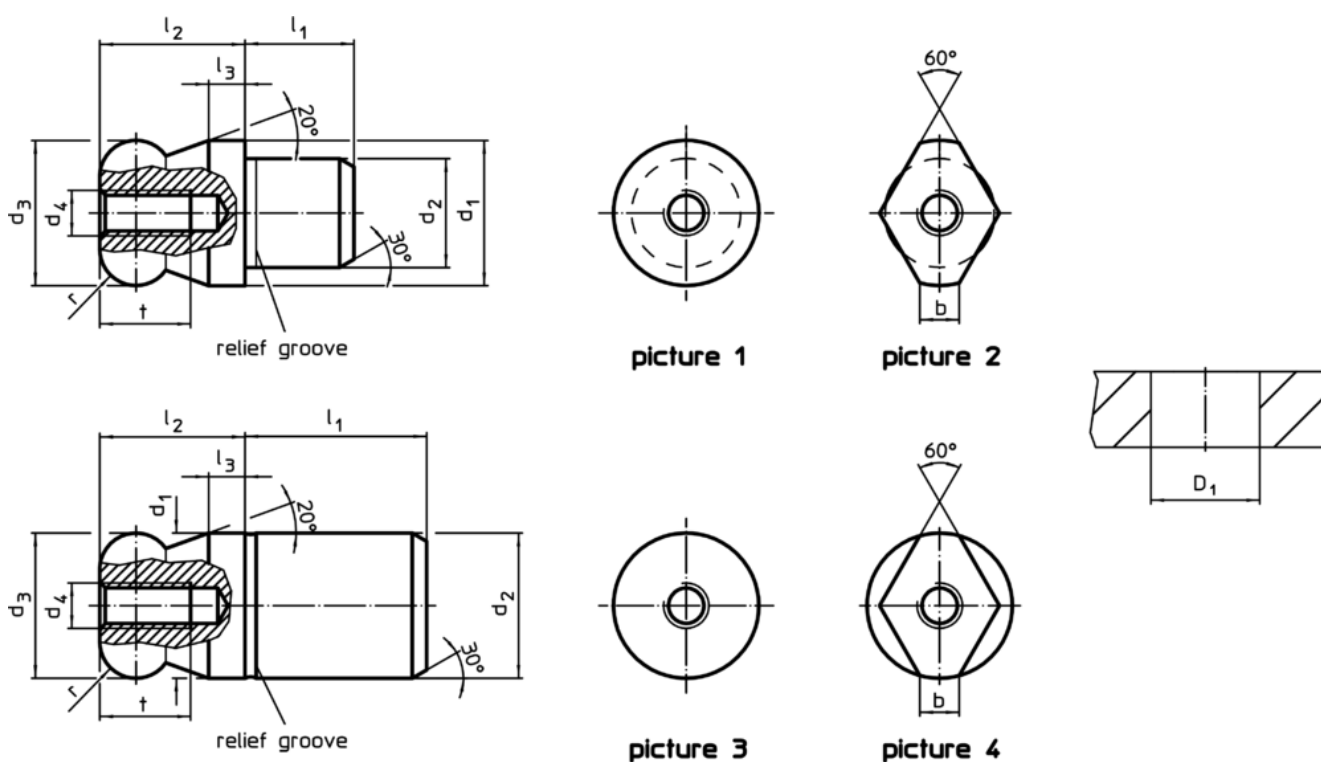
產品描述

球形端圓柱梢可有助於工件的插入及避免固夾位置傾斜。

材質

- 工具鋼，硬化，研磨和染黑
- 不鏽鋼 1.4305、地面、表面熱處理

圖面




訂單資訊

d ₁	d ₂	d ₃	d ₄	l ₁	尺寸	l ₂	l ₃	t	r	b	定位孔 D ₁ H7		RoHS	REACH	品號
g6	n6	-0,01 -0,05			[mm]						[mm]	[g]			
10	7	10	M3	7	10	2,5	6	2,5	-		7	7	RoHS 認證	contains no SVHC materials	22630.0310
12	8	12	M4	8	12	3,0	8	3,0	-		8	11	RoHS 認證	contains no SVHC materials	22630.0312
16	12	16	M5	12	16	4,0	10	4,0	-		12	31	RoHS 認證	contains no SVHC materials	22630.0316
20	14	20	M5	14	20	5,0	10	5,0	-		14	58	RoHS 認證	contains no SVHC materials	22630.0320
22	16	22	M5	16	22	5,5	10	5,5	-		16	81	RoHS 認證	contains no SVHC materials	22630.0322
25	18	25	M5	18	25	6,0	10	6,0	-		18	118	RoHS 認證	contains no SVHC materials	22630.0325

球端 是平的 – 相片 1, 工具鋼

d ₁	d ₂	d ₃	d ₄	l ₁	尺寸	l ₂	l ₃	t	r	b	定位孔 D ₁ H7		RoHS	REACH	品號
g6	n6	-0,01 -0,05			[mm]						[mm]	[g]			
10	7	10	M3	7	10	2,5	6	2,5	-		7	7	RoHS 認證	contains no SVHC materials	22630.0310
12	8	12	M4	8	12	3,0	8	3,0	-		8	11	RoHS 認證	contains no SVHC materials	22630.0312
16	12	16	M5	12	16	4,0	10	4,0	-		12	31	RoHS 認證	contains no SVHC materials	22630.0316
20	14	20	M5	14	20	5,0	10	5,0	-		14	58	RoHS 認證	contains no SVHC materials	22630.0320
22	16	22	M5	16	22	5,5	10	5,5	-		16	81	RoHS 認證	contains no SVHC materials	22630.0322
25	18	25	M5	18	25	6,0	10	6,0	-		18	118	RoHS 認證	contains no SVHC materials	22630.0325

尺寸										定位孔 D ₁ H7		RoHS	REACH	品號	
d ₁ g6	d ₂ n6	d ₃ -0,01 -0,05	d ₄	l ₁	l ₂	l ₃	t	r	b						[mm]
球端 是平的 – 相片 1, 不銹鋼															
10	7	10	M3	7	10	2,5	6	2,5	–	7	7	RoHS 認證	contains no SVHC materials	22630.0350	
12	8	12	M4	8	12	3,0	8	3,0	–	8	11	RoHS 認證	contains no SVHC materials	22630.0352	
16	12	16	M5	12	16	4,0	10	4,0	–	12	31	RoHS 認證	contains no SVHC materials	22630.0356	
20	14	20	M5	14	20	5,0	10	5,0	–	14	58	RoHS 認證	contains no SVHC materials	22630.0360	
球端面 平的 – 相片 2, 工具鋼															
10	7	10	M3	7	10	2,5	6	2,5	2,5	7	5	RoHS 認證	contains no SVHC materials	22630.0410	
12	8	12	M4	8	12	3,0	8	3,0	2,5	8	8	RoHS 認證	contains no SVHC materials	22630.0412	
16	12	16	M5	12	16	4,0	10	4,0	4,3	12	25	RoHS 認證	contains no SVHC materials	22630.0416	
20	14	20	M5	14	20	5,0	10	5,0	5,0	14	46	RoHS 認證	contains no SVHC materials	22630.0420	
22	16	22	M5	16	22	5,5	10	5,5	5,0	16	63	RoHS 認證	contains no SVHC materials	22630.0422	
25	18	25	M5	18	25	6,0	10	6,0	5,6	18	92	RoHS 認證	contains no SVHC materials	22630.0425	
球端面 平的 – 相片 2, 不銹鋼															
10	7	10	M3	7	10	2,5	6	2,5	2,5	7	5	RoHS 認證	contains no SVHC materials	22630.0450	
12	8	12	M4	8	12	3,0	8	3,0	2,5	8	8	RoHS 認證	contains no SVHC materials	22630.0452	
16	12	16	M5	12	16	4,0	10	4,0	4,3	12	25	RoHS 認證	contains no SVHC materials	22630.0456	
20	14	20	M5	14	20	5,0	10	5,0	5,0	14	46	RoHS 認證	contains no SVHC materials	22630.0460	
平的球端 非階梯狀 – 相片 3, 工具鋼															
8	8	8	M3	10	8	2,0	6	2,0	–	8	6	RoHS 認證	contains no SVHC materials	22630.0508	
10	10	10	M3	13	10	2,5	6	2,5	–	10	12	RoHS 認證	contains no SVHC materials	22630.0510	
12	12	12	M4	15	12	3,0	8	3,0	–	12	21	RoHS 認證	contains no SVHC materials	22630.0512	
16	16	16	M5	20	16	4,0	10	4,0	–	16	51	RoHS 認證	contains no SVHC materials	22630.0516	
20	20	20	M5	25	20	5,0	10	5,0	–	20	101	RoHS 認證	contains no SVHC materials	22630.0520	
25	25	25	M5	25	25	6,0	10	6,0	–	25	176	RoHS 認證	contains no SVHC materials	22630.0525	
30	30	30	M6	30	30	8,0	12	8,0	–	30	307	RoHS 認證	contains no SVHC materials	22630.0530	
40	40	40	M6	40	40	10,0	12	10,0	–	40	729	RoHS 認證	contains no SVHC materials	22630.0540	
50	50	50	M6	50	50	12,0	12	12,0	–	50	1422	RoHS 認證	contains no SVHC materials	22630.0550	
平的球端 非階梯狀 – 相片 3, 不銹鋼															
8	8	8	M3	10	8	2,0	6	2,0	–	8	6	RoHS 認證	contains no SVHC materials	22630.0568	
10	10	10	M3	13	10	2,5	6	2,5	–	10	12	RoHS 認證	contains no SVHC materials	22630.0570	
12	12	12	M4	15	12	3,0	8	3,0	–	12	21	RoHS 認證	contains no SVHC materials	22630.0572	
16	16	16	M5	20	16	4,0	10	4,0	–	16	51	RoHS 認證	contains no SVHC materials	22630.0576	
20	20	20	M5	25	20	5,0	10	5,0	–	20	101	RoHS 認證	contains no SVHC materials	22630.0580	

尺寸										定位孔 D ₁ H7		RoHS	REACH	品號
d ₁ g6	d ₂ n6	d ₃ -0,01 -0,05	d ₄	l ₁	l ₂	l ₃	t	r	b					
平的球端面, 非階梯狀 – 相片 4, 工具鋼														
8	8	8	M3	10	8	2,0	6	2,0	1,9	8	5	RoHS 認證	contains no SVHC materials	22630.0608
10	10	10	M3	13	10	2,5	6	2,5	2,5	10	11	RoHS 認證	contains no SVHC materials	22630.0610
12	12	12	M4	15	12	3,0	8	3,0	2,5	12	17	RoHS 認證	contains no SVHC materials	22630.0612
16	16	16	M5	20	16	4,0	10	4,0	4,3	16	44	RoHS 認證	contains no SVHC materials	22630.0616
20	20	20	M5	25	20	5,0	10	5,0	5,0	20	88	RoHS 認證	contains no SVHC materials	22630.0620
25	25	25	M5	25	25	6,0	10	6,0	5,6	25	149	RoHS 認證	contains no SVHC materials	22630.0625
30	30	30	M6	30	30	8,0	12	8,0	8,8	30	270	RoHS 認證	contains no SVHC materials	22630.0630
40	40	40	M6	40	40	10,0	12	10,0	12,8	40	657	RoHS 認證	contains no SVHC materials	22630.0640
50	50	50	M6	50	50	12,0	12	12,0	16,7	50	1243	RoHS 認證	contains no SVHC materials	22630.0650
平的球端面, 非階梯狀 – 相片 4, 不銹鋼														
8	8	8	M3	10	8	2,0	6	2,0	1,9	8	5	RoHS 認證	contains no SVHC materials	22630.0668
10	10	10	M3	13	10	2,5	6	2,5	2,5	10	11	RoHS 認證	contains no SVHC materials	22630.0670
12	12	12	M4	15	12	3,0	8	3,0	2,5	12	17	RoHS 認證	contains no SVHC materials	22630.0672
16	16	16	M5	20	16	4,0	10	4,0	4,3	16	44	RoHS 認證	contains no SVHC materials	22630.0676
20	20	20	M5	25	20	5,0	10	5,0	5,0	20	88	RoHS 認證	contains no SVHC materials	22630.0680

應用範例

