

## 定位和承座梢 · DIN 6321

EH 22630.

### 產品描述

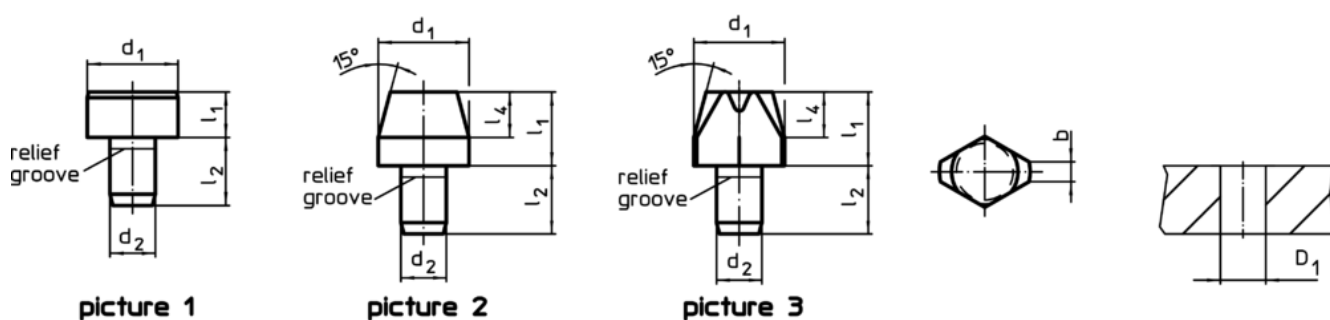
圓柱形定位梢適用於將工件定位於公差孔內，以及適合作為止動元件及腳墊。  
扁平定位梢則慣用於克服公差、各孔之間差異，以及將元件定位於單一方向。  
座銷的接觸表面沒有中心 (圖一)。



### 材質


- 工具鋼，硬化，研磨

### 圖面



### 訂單資訊

d <sub>1</sub> g6	l <sub>1</sub>	尺寸 [mm]				定位孔 D <sub>1</sub> H7 [mm]	📦 [g]	RoHS	REACH	品號
座梢, DIN 6321 型式A, 公差 l1 = h9 – 相片 1										
6	5	–	4	6	–	4	1,8	RoHS 認證	contains no SVHC materials	22630.0011
10	6	–	6	9	–	6	5,7	RoHS 認證	contains no SVHC materials	22630.0012
16	8	–	8	12	–	8	17,0	RoHS 認證	contains no SVHC materials	22630.0013
25	10	–	12	18	–	12	50,0	RoHS 認證	contains no SVHC materials	22630.0014
定位梢, 圓柱形, DIN 6321, 型式B – 相片 2										
6	7	–	4	6	4	4	2,2	RoHS 認證	contains no SVHC materials	22630.0020
6	12	–	4	6	4	4	3,0	RoHS 認證	contains no SVHC materials	22630.0021
8	10	–	6	9	6	6	5,4	RoHS 認證	contains no SVHC materials	22630.0022
8	16	–	6	9	6	6	8,0	RoHS 認證	contains no SVHC materials	22630.0023
10	10	–	6	9	6	6	7,4	RoHS 認證	contains no SVHC materials	22630.0024
10	18	–	6	9	6	6	12,0	RoHS 認證	contains no SVHC materials	22630.0025
12	10	–	6	9	6	6	10,0	RoHS 認證	contains no SVHC materials	22630.0026
12	18	–	6	9	6	6	17,0	RoHS 認證	contains no SVHC materials	22630.0027
16	13	–	8	12	8	8	23,0	RoHS 認證	contains no SVHC materials	22630.0028

d <sub>1</sub> g6	l <sub>1</sub>	尺寸				定位孔 D <sub>1</sub> H7 [mm]	 [g]	RoHS	REACH	品號
		b	d <sub>2</sub> n6	l <sub>2</sub>	l <sub>4</sub>					
16	22	-	8	12	8	8	36,0	RoHS 認證	contains no SVHC materials	22630.0029
20	15	-	12	18	9	12	47,0	RoHS 認證	contains no SVHC materials	22630.0030
20	25	-	12	18	9	12	72,0	RoHS 認證	contains no SVHC materials	22630.0031
25	15	-	12	18	9	12	66,0	RoHS 認證	contains no SVHC materials	22630.0032
25	25	-	12	18	9	12	106,0	RoHS 認證	contains no SVHC materials	22630.0033
定位梢，平的， DIN 6321， 型式C – 相片 3										
6	7	1,0	4	6	4	4	1,8	RoHS 認證	contains no SVHC materials	22630.0040
6	12	1,0	4	6	4	4	2,0	RoHS 認證	contains no SVHC materials	22630.0041
8	10	1,6	6	9	6	6	4,5	RoHS 認證	contains no SVHC materials	22630.0042
8	16	1,6	6	9	6	6	6,0	RoHS 認證	contains no SVHC materials	22630.0043
10	10	2,5	6	9	6	6	6,0	RoHS 認證	contains no SVHC materials	22630.0044
10	18	2,5	6	9	6	6	9,0	RoHS 認證	contains no SVHC materials	22630.0045
12	10	2,5	6	9	6	6	7,0	RoHS 認證	contains no SVHC materials	22630.0046
12	18	2,5	6	9	6	6	11,0	RoHS 認證	contains no SVHC materials	22630.0047
16	13	3,5	8	12	8	8	17,0	RoHS 認證	contains no SVHC materials	22630.0048
16	22	3,5	8	12	8	8	26,0	RoHS 認證	contains no SVHC materials	22630.0049
20	15	5,0	12	18	9	12	39,0	RoHS 認證	contains no SVHC materials	22630.0050
20	25	5,0	12	18	9	12	55,0	RoHS 認證	contains no SVHC materials	22630.0051
25	15	5,0	12	18	9	12	49,0	RoHS 認證	contains no SVHC materials	22630.0052
25	25	5,0	12	18	9	12	72,0	RoHS 認證	contains no SVHC materials	22630.0053

應用範例

