

腳座螺絲· DIN 6332 有推力點型式S

EH 22540.

產品描述

平頭螺釘是直接通過推力點傳遞力的夾緊螺釘。鋼製版本的推力點的壓力面已硬化。為了夾緊敏感表面，可以在止推點上安裝止推墊EH22560。(DIN 6311和低版本)。止推墊的卡環實現平頭螺釘和止推墊之間的連接，可以用手將其釋放。

這些具有推力點的平頭螺釘的特點是，在推力點上具有附加的半徑“r”(相對於DIN 6332進行了優化)，這使在推力墊中的組裝更加容易。

平頭螺釘的止點直徑小於螺紋的內徑，因此也可以將其擰入銷釘側。



材質

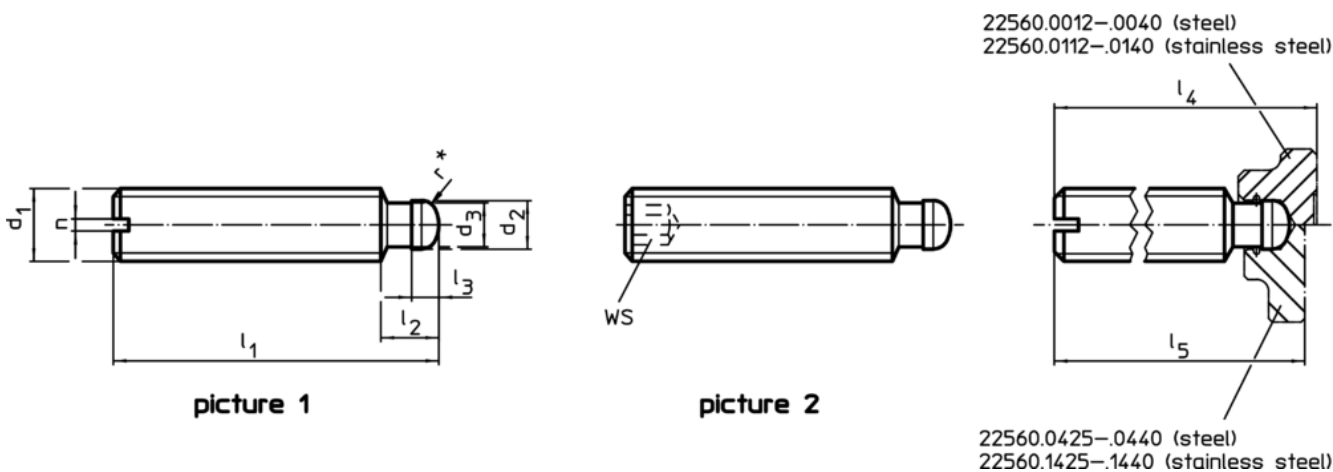
- 鋼，塗黑，質量 5.8，推力點硬化
- 不銹鋼

更多資訊

更多產品

- 推力腳座, DIN 6311 和低型


圖面





* to ease assembly the DIN 6332 specification has been completed by r

訂單資訊

d ₁	l ₁	d ₂ h11	d ₃	尺寸 [mm]					WS [mm]	RoHS	REACH	品號	
				l ₂	l ₃	l ₄ ~	l ₅ ~	n					
有槽溝 - 相片 1, 鋼													
M 6	30	4,5	4,0	6,0	2,5	32,1	-	1,0	-	4,5	RoHS 認證	contains SVHC materials >0.1% w/w	22540.0061
M 6	50	4,5	4,0	6,0	2,5	52,1	-	1,0	-	7,8	RoHS 認證	contains SVHC materials >0.1% w/w	22540.0062
M 8	40	6,0	5,4	7,5	3,0	43,0	42,5	1,2	-	11,0	RoHS 認證	contains SVHC materials >0.1% w/w	22540.0081
M 8	60	6,0	5,4	7,5	3,0	63,0	62,5	1,2	-	17,0	RoHS 認證	contains SVHC materials >0.1% w/w	22540.0082
M10	60	8,0	7,2	9,0	4,5	63,6	62,6	1,6	-	27,0	RoHS 認證	contains SVHC materials >0.1% w/w	22540.0101
M10	80	8,0	7,2	9,0	4,5	83,6	82,6	1,6	-	37,0	RoHS 認證	contains SVHC materials >0.1% w/w	22540.0102
M12	60	8,0	7,2	10,0	4,5	64,6	62,6	2,0	-	38,0	RoHS 認證	contains SVHC materials >0.1% w/w	22540.0121

d ₁	l ₁	d ₂ h11	d ₃	尺寸				n	WS [mm]	 [g]	RoHS	REACH	品號
				l ₂	l ₃	l ₄ ~	l ₅ ~						
[mm]													
M12	80	8,0	7,2	10,0	4,5	84,6	82,6	2,0	-	51,0	RoHS 認證	contains SVHC materials >0.1% w/w	22540.0122
M12	100	8,0	7,2	10,0	4,5	104,6	102,6	2,0	-	65,0	RoHS 認證	contains SVHC materials >0.1% w/w	22540.0123
M16	80	12,0	11,0	12,0	5,0	85,4	82,9	2,5	-	100,0	RoHS 認證	contains SVHC materials >0.1% w/w	22540.0161
M16	100	12,0	11,0	12,0	5,0	105,4	102,9	2,5	-	126,0	RoHS 認證	contains SVHC materials >0.1% w/w	22540.0162
M16	125	12,0	11,0	12,0	5,0	130,4	127,9	2,5	-	160,0	RoHS 認證	contains SVHC materials >0.1% w/w	22540.0163
M20	100	15,5	14,4	14,0	5,5	105,5	-	3,0	-	190,0	RoHS 認證	contains SVHC materials >0.1% w/w	22540.0201
M20	125	15,5	14,4	14,0	5,5	130,5	-	3,0	-	240,0	RoHS 認證	contains SVHC materials >0.1% w/w	22540.0202
M20	150	15,5	14,4	14,0	5,5	155,5	-	3,0	-	290,0	RoHS 認證	contains SVHC materials >0.1% w/w	22540.0203
有槽溝 – 相片 1, 不銹鋼													
M 6	30	4,5	4,0	6,0	2,5	32,1	-	1,0	-	4,5	RoHS 認證	contains no SVHC materials	22540.1061
M 6	50	4,5	4,0	6,0	2,5	52,1	-	1,0	-	7,8	RoHS 認證	contains no SVHC materials	22540.1062
M 8	40	6,0	5,4	7,5	3,0	43,0	42,5	1,2	-	11,0	RoHS 認證	contains no SVHC materials	22540.1081
M 8	60	6,0	5,4	7,5	3,0	63,0	62,5	1,2	-	17,0	RoHS 認證	contains no SVHC materials	22540.1082
M10	60	8,0	7,2	9,0	4,5	63,6	62,6	1,6	-	27,0	RoHS 認證	contains no SVHC materials	22540.1101
M10	80	8,0	7,2	9,0	4,5	83,6	82,6	1,6	-	37,0	RoHS 認證	contains no SVHC materials	22540.1102
M12	60	8,0	7,2	10,0	4,5	64,6	62,6	2,0	-	38,0	RoHS 認證	contains no SVHC materials	22540.1121
M12	80	8,0	7,2	10,0	4,5	84,6	82,6	2,0	-	51,0	RoHS 認證	contains no SVHC materials	22540.1122
M12	100	8,0	7,2	10,0	4,5	104,6	102,6	2,0	-	65,0	RoHS 認證	contains no SVHC materials	22540.1123
M16	80	12,0	11,0	12,0	5,0	85,4	82,9	2,5	-	100,0	RoHS 認證	contains no SVHC materials	22540.1161
M16	100	12,0	11,0	12,0	5,0	105,4	102,9	2,5	-	126,0	RoHS 認證	contains no SVHC materials	22540.1162
M16	125	12,0	11,0	12,0	5,0	130,4	127,9	2,5	-	160,0	RoHS 認證	contains no SVHC materials	22540.1163
M20	100	15,5	14,4	14,0	5,5	105,5	-	3,0	-	190,0	RoHS 認證	contains no SVHC materials	22540.1201
M20	125	15,5	14,4	14,0	5,5	130,5	-	3,0	-	240,0	RoHS 認證	contains no SVHC materials	22540.1202
M20	150	15,5	14,4	14,0	5,5	155,5	-	3,0	-	290,0	RoHS 認證	contains no SVHC materials	22540.1203
有內六角 – 相片 2, 鋼													
M 6	30	4,5	4,0	6,0	2,5	32,1	-	-	3	4,3	RoHS 認證	contains SVHC materials >0.1% w/w	22540.0361
M 6	50	4,5	4,0	6,0	2,5	52,1	-	-	3	7,6	RoHS 認證	contains SVHC materials >0.1% w/w	22540.0362
M 8	40	6,0	5,4	7,5	3,0	43,0	42,5	-	4	11,0	RoHS 認證	contains SVHC materials >0.1% w/w	22540.0381

d ₁	l ₁	d ₂ h11	d ₃	尺寸				n	WS [mm]	 [g]	RoHS	REACH	品號
				l ₂	l ₃	l ₄ ~	l ₅ ~						
[mm]													
M 8	60	6,0	5,4	7,5	3,0	63,0	62,5	-	4	17,0	RoHS 認證	contains SVHC materials >0.1% w/w	22540.0382
M10	60	8,0	7,2	9,0	4,5	63,6	62,6	-	5	26,0	RoHS 認證	contains SVHC materials >0.1% w/w	22540.0401
M10	80	8,0	7,2	9,0	4,5	83,6	82,6	-	5	36,0	RoHS 認證	contains SVHC materials >0.1% w/w	22540.0402
M12	60	8,0	7,2	10,0	4,5	64,6	62,6	-	6	36,0	RoHS 認證	contains SVHC materials >0.1% w/w	22540.0421
M12	80	8,0	7,2	10,0	4,5	84,6	82,6	-	6	50,0	RoHS 認證	contains SVHC materials >0.1% w/w	22540.0422
M12	100	8,0	7,2	10,0	4,5	104,6	102,6	-	6	64,0	RoHS 認證	contains SVHC materials >0.1% w/w	22540.0423
M16	80	12,0	11,0	12,0	5,0	85,4	82,9	-	8	91,0	RoHS 認證	contains SVHC materials >0.1% w/w	22540.0461
M16	100	12,0	11,0	12,0	5,0	105,4	102,9	-	8	118,0	RoHS 認證	contains SVHC materials >0.1% w/w	22540.0462
M16	125	12,0	11,0	12,0	5,0	130,4	127,9	-	8	150,0	RoHS 認證	contains SVHC materials >0.1% w/w	22540.0463
M20	100	15,5	14,4	14,0	5,5	105,5	-	-	10	182,0	RoHS 認證	contains SVHC materials >0.1% w/w	22540.0501
M20	125	15,5	14,4	14,0	5,5	130,5	-	-	10	233,0	RoHS 認證	contains SVHC materials >0.1% w/w	22540.0502
M20	150	15,5	14,4	14,0	5,5	155,5	-	-	10	284,0	RoHS 認證	contains SVHC materials >0.1% w/w	22540.0503
有內六角 – 相片 2, 不銹鋼													
M 6	30	4,5	4,0	6,0	2,5	32,1	-	-	3	4,3	RoHS 認證	contains no SVHC materials	22540.1361
M 6	50	4,5	4,0	6,0	2,5	52,1	-	-	3	7,6	RoHS 認證	contains no SVHC materials	22540.1362
M 8	40	6,0	5,4	7,5	3,0	43,0	42,5	-	4	11,0	RoHS 認證	contains no SVHC materials	22540.1381
M 8	60	6,0	5,4	7,5	3,0	63,0	62,5	-	4	17,0	RoHS 認證	contains no SVHC materials	22540.1382
M10	60	8,0	7,2	9,0	4,5	63,6	62,6	-	5	26,0	RoHS 認證	contains no SVHC materials	22540.1401
M10	80	8,0	7,2	9,0	4,5	83,6	82,6	-	5	36,0	RoHS 認證	contains no SVHC materials	22540.1402
M12	60	8,0	7,2	10,0	4,5	64,6	62,6	-	6	36,0	RoHS 認證	contains no SVHC materials	22540.1421
M12	80	8,0	7,2	10,0	4,5	84,6	82,6	-	6	50,0	RoHS 認證	contains no SVHC materials	22540.1422
M12	100	8,0	7,2	10,0	4,5	104,6	102,6	-	6	64,0	RoHS 認證	contains no SVHC materials	22540.1423
M16	80	12,0	11,0	12,0	5,0	85,4	82,9	-	8	91,0	RoHS 認證	contains no SVHC materials	22540.1461
M16	100	12,0	11,0	12,0	5,0	105,4	102,9	-	8	118,0	RoHS 認證	contains no SVHC materials	22540.1462

d ₁	l ₁	d ₂ h11	d ₃	尺寸					n	WS [mm]	 [g]	RoHS	REACH	品號
				l ₂	l ₃	l ₄ ~	l ₅ ~	[mm]						
M16	125	12,0	11,0	12,0	5,0	130,4	127,9	-	8	150,0	RoHS 認證	contains no SVHC materials	22540.1463	
M20	100	15,5	14,4	14,0	5,5	105,5	-	-	10	182,0	RoHS 認證	contains no SVHC materials	22540.1501	
M20	125	15,5	14,4	14,0	5,5	130,5	-	-	10	233,0	RoHS 認證	contains no SVHC materials	22540.1502	
M20	150	15,5	14,4	14,0	5,5	155,5	-	-	10	284,0	RoHS 認證	contains no SVHC materials	22540.1503	

應用範例

