

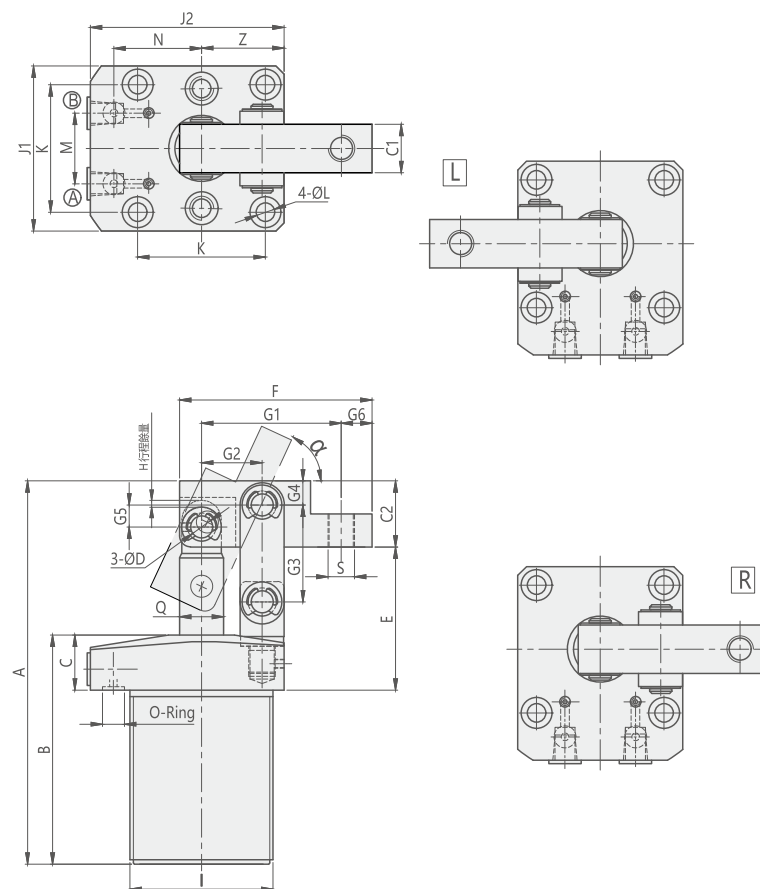
LHC01

槓桿式油壓缸

LHC01 HYDRAULIC LEVERAGE CLAMP

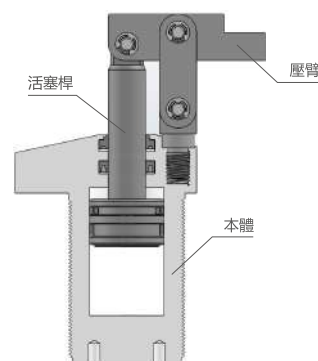


壓臂安裝方向 Lever Direction



Ⓐ 夾持油孔 Clamping port
Ⓑ 放鬆油孔 Unclamping port
(單動型 Ⓑ 為排氣孔)

剖面圖 Sectional view(複動型)



產品特性

此系列產品有五種可供選擇的缸徑：Φ25, Φ32, Φ40, Φ50, Φ63。本產品使用了高性能的密封圈，避免了油缸的泄漏，且其壽命長。應用了槓桿原理，使工件容易夾緊，提高效率。缸體所用的材質是45鋼，活塞材質是45鋼，熱處理，表面鍍鉻。缸體一體成型。

最大操作壓力：70 kgf/cm²
最小操作壓力：20 kgf/cm²
作動方式：單動式和複動式

FEATURES

Five available bore diameter :Φ25,Φ32,Φ40,Φ50,Φ63. Use high-quality seal to avoid leakage and keep long operation. Lever principle design is applied on this hydraulic cylinder. Clamping work piece easily and improve efficiency. The material of the cylinder body and the piston is 45# steel, heat treatment,chrome plated.

Max. operating pressure: 70 kgf/cm²
Min. operating pressure: 20 kgf/cm²
Single acting and double acting

注意事項

夾緊及放鬆作動速度需適當放緩。

NOTE

The acting speed of clamping-unclamping should be slowed down.

訂購標示法 ORDERING INDICATION

示例: LHC01D-40CRAW

LHC01	系列 Series	LHC01
D	作動方式 Acting type	D: 複動式 S: 單動式
40	油缸內徑 Hydraulic cylinder inside diameter	D: Double acting S: Single acting
C	空白: 配管油路板共用 C: 油路板附調速	Blank: Containing oil board sharing C: Manifold with flow control
R	壓臂安裝方向 Lever direction	Bank: 空白, R:右, L: 左
A	缸體一體成型	A integrated
W	W: 缸體上三方具有壓臂安裝座孔	W: Clamping arm can be installed in three directions.

備註：一體成型的沒有W型
Note: A integrated can not be made W type.

MODEL ITEM	LHC01S-25	LHC01S-32	LHC01S-40	LHC01S-50	LHC01S-63
A	128.5	149	157	174	179
B	86.5	97	97	104	105
C	25	25	25	25	25
C1	16	18	20	22	22
C2	17	20	25	30	30
D	Φ6	Φ6	Φ8	Φ10	Φ10
E	50	57	60	65	69
F	55	68	75	87.5	98
G1	41	52	56	63.5	74
G2	18	22	24	27.5	32
G3	26	33	33	44	48
G4	6.5	8	13	11	11
G5	4.5	5	4	10	10
G6	7	8	10	14	14
H	2	3	3	3	3
I	M40x1.5	M50x1.5	M55x1.5	M65x1.5	M80x1.5
J1	50	60	65	75	90
J2	60	70	75	88	108
K	□37	□45	□50	□58	□70
L	Φ5.5-Φ9 x5.5D	Φ6.5-Φ11 x6.5D	Φ6.5-Φ11 x6.5D	Φ8.5-Φ14 x9D	Φ8.5-Φ14 x9D
配管式油口 PORT WITH LINE TYPE	2-PT1/8	2-PT1/8	2-PT1/8	2-PT1/8	2-PT1/8
M	23	23	26	32	35
N	26	30.5	33	38	48
Z	25	30	32.5	37.5	45
S	M6	M8	M8	M12	M12
α	75°	75°	75°	65°	60°
O型圈 O-Ring	P7	P7	P7	P7	P7
Q	Φ14	Φ16	Φ16	Φ20	Φ20

規格參數表 SPECIFICATION

型號	理論夾持力 (70 kgf/cm ²)	夾緊行程	總行程	推出容積	拉入容積	推出受壓面積	拉入受壓面積	使用溫度範圍	使用液體
MODEL	CLAMPING FORCE AT 70 kgf/cm ² (kgf)	CLAMPING STROKE (mm)	TOTAL STROKE(mm)	CYLINDER CAPACITY CLAMP(cm ³)	CYLINDER CAPACITY UNCLAMP(cm ³)	EFF.PISTON AREA CLAMP(cm ²)	EFF.PISTON AREA UNCLAMP(cm ²)	RANGE OF TEMPERATURE(°C)	USABLE FLUID
LHC01S-25	158	22	24	11.78	-	4.91	-	-10~+70°C	相當於ISO黏度 等級的ISO-VG- 32一般液壓油 General Hydraulic Oil Equivalent to ISO-VG-32
LHC01D-25	268	22	24	11.78	8.09	4.91	3.37	-10~+70°C	
LHC01S-32	243	28	31	24.92	-	8.04	-	-10~+70°C	
LHC01D-32	412	28	31	24.92	18.69	8.04	6.03	-10~+70°C	
LHC01S-40	388	30	33	41.45	-	12.56	-	-10~+70°C	
LHC01D-40	659	30	33	41.45	34.82	12.56	10.55	-10~+70°C	
LHC01S-50	618	30	33	64.78	-	19.63	-	-10~+70°C	
LHC01D-50	1049	30	33	64.78	54.42	19.63	16.49	-10~+70°C	
LHC01S-63	980	30	33	102.83	-	31.16	-	-10~+70°C	
LHC01D-63	1662	30	33	102.83	92.47	31.16	28.02	-10~+70°C	