

CYS

搖臂式油壓槓桿缸

ROCKER HYDRAULIC CLAMP



CYS-3005

CYS-3006

產品特性

搖臂式夾緊器適用於快速換模用(Quick Die Change)工位。夾臂(rocker clamp arm)的運作行程短,便於安裝無干擾, 特適合狹小的安裝控制項。

可以用手將夾臂朝自己所希望的方向旋轉, 模具的組裝, 脫落容易。產品因用樞銷連接構成, 可以堅固, 安全地使用。

使用油壓範圍: 15~250kgf/cm²
 使用環境溫度: 0~60°C
 作動方式: 單動式

FEATURES

This product is suitable for Quick Die Change clamps, and it is made for convenient press die replacement. The clamp lever can be rotated to the desired direction, making it easy to use in a constrained space between the base plates of die. The short operating stroke of the rocker lever is suitable for a constrained space between the base plates of die. It is connected to the pivot pin and can be used firmly and safely.

Operating Pressure: 15~250kgf/cm²
 Operating Temperature: 0~60°C
 Single acting

注意事項

利用下面的螺母和標準T-槽形螺母等可以安裝, 依據托架孔高度的面, 可以以多種方法調整夾緊高度。

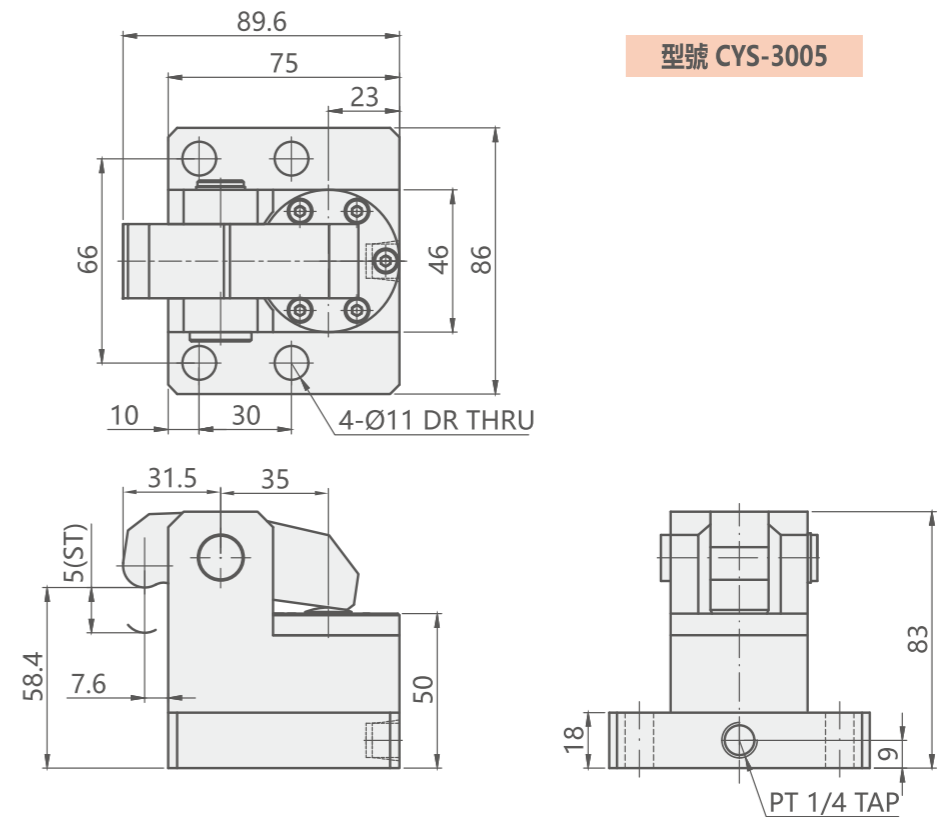
NOTE

It can be installed using a female thread on the bottom and a standard T-slot nut, and the clamping height can be adjusted by the space according to the mounting hole height.

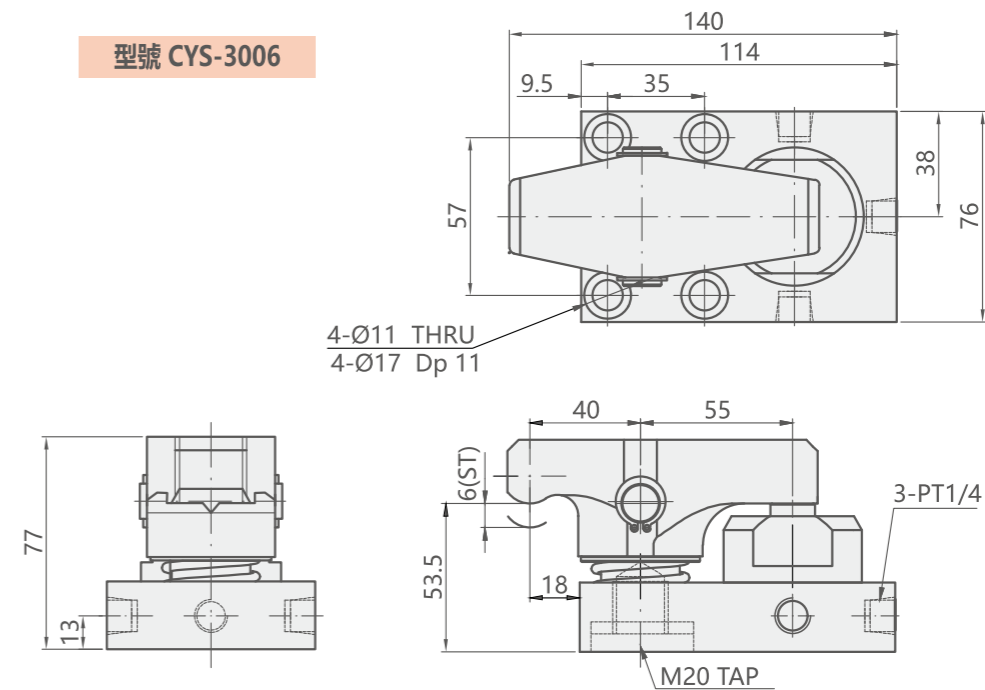
訂購標示法 ORDERING INDICATION

示例: CYS-3005

CYS	系列 Series	CYS	
30	油缸內徑 Hydraulic cylinder inside diameter	30	
05	行程 Stroke	05= 5mm	06= 6mm



型號 CYS-3006



規格參數表 SPECIFICATION

型號	行程	油缸容量	油缸面積	最大夾緊力	重量
MODEL	STROKE (mm)	CYLINDER CAPACITY(cm ³)	CYLINDER AREA(cm ²)	MAXIMUM CLAMPING FORCE(kgf)	WEIGHT(kg)
CYS-3005	5.0	3.5	7.0	1900	2.2
CYS-3006	6.0	4.2	7.0	2400	2.6