

CHA-P

油壓轉角缸

CHA HYDRAULIC SWING CLAMP



產品特性

此系列產品配件採用優化設計，使體積更加緊湊，提高了產品強度。產品採用了專用防塵設計，提高了防塵和密封性，實現了高密封性。產品結構設計具有高抗扭矩性，實現了高耐久性。

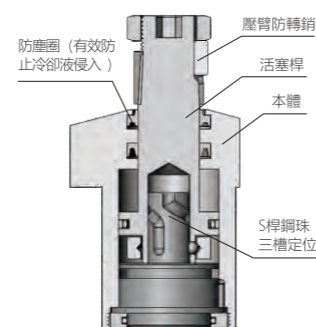
最大操作壓力：70 kgf/cm²
 最小操作壓力：15 kgf/cm²
 作動方式：複動式

FEATURES

This series product with the optimal design, so made more impact and strength can be improved. Product with special dust proof design, dust proof and sealing have been improved, so it has high sealing performance. Design of product structure with high anti-torque, realize high durability.

Max. operating pressure : 70 kgf/cm²
 Min. operating pressure : 15 kgf/cm²
 Double acting

剖面圖 Sectional view



注意事項

夾緊及放鬆作動速度需適當放緩。壓臂安裝拆卸方式，請參見第4頁。可接受訂製，歡迎與本公司洽詢。

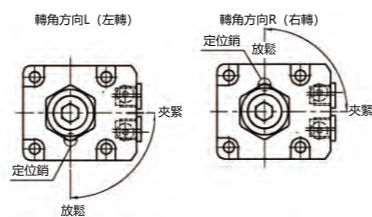
NOTE

The acting speed of clamping-unclamping should be slowed down. The methods remove and the rotation diagram of the clamp arm, please refer to page 4. Orders with customized request are available, welcome to reach us.

訂購標示法 ORDERING INDICATION

示例：CHA-040PSL-90

CHA-P	系列 Series	CHA-P	
040	036/040/048/055/065/075/105		
S	壓臂型式 Clamping arm type	S: 單邊壓臂 D: 雙邊壓臂	S: Single side arm D: Double side arm
L	轉角方向 Swing direction	L: 左 R: 右	L: Left R: Right
90	轉角角度 Swing angle	標準角度 可訂做角度	Standard angle 90° (±2°) Order angle 30° (±2°), 45° (±2°), 60° (±2°)

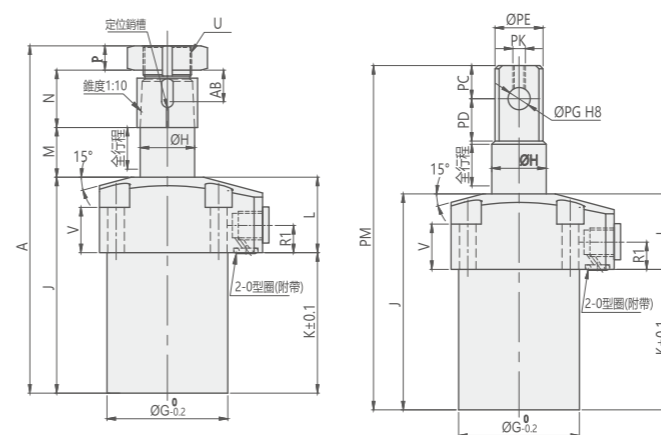
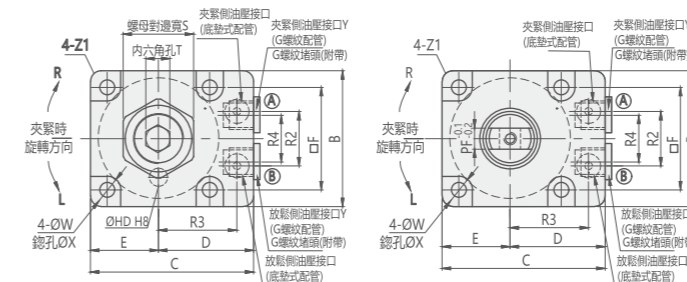


備註：選配調速閥為CZL系列

SINGLE SIDE SWING CLAMP

DOUBLE SIDE SWING CLAMP

註：下圖為轉角90°鬆開狀態



- Ⓐ 夾持油孔 Clamping port
- Ⓑ 放鬆油孔 Unclamping port

Unit:mm

MODEL ITEM	CHA-036P	CHA-040P	CHA-048P	CHA-055P	CHA-065P	CHA-075P	CHA-105P
A	117	131	148.5	158.5	178.5	201.5	244
B	38	45	50	57	70	86	108
C	48	55	60	66	82	96	120
PF	8	8	10	12	16	18	22
E	19	22.5	25	28.5	35	43	54
F	30.5	35	40	46	56	68	88
G	35	39	47	53	63	78	100
H	14	18	22.4	25	30	35.5	45
J	77	83	92	99	113	124.5	148.5
K	48.5	54	61	66	77	84	97
L	28.5	29	31	33	36	40.5	51.5
M	17.5	20	22.5	25.5	28.5	30	37.5
N(夾緊臂厚度)	16	20	25	25	27	35	45
P(螺母厚度)	6.5	8	9	9	10	12	13
R1	12.5	12.5	12.5	12.5	14	14	21
R2	18	22	24	28	36	45	50
R3	22.5	25	28	30.5	36	42	57
R4	16.2	20	22	26	30	38	50
S(螺母對邊寬)	19	22	27	30	36	46	55
T(內六角孔)	5	6	6	8	8	10	14
U(推薦緊固扭矩)	M12× 1.5(12N·m)	M14× 1.5(26 N·m)	M18× 1.5(51 N·m)	M20× 1.5(60 N·m)	M24× 1.5(86 N·m)	M30× 1.5(120 N·m)	M39× 1.5(180 N·m)
V	20	19.5	20	20	19.5	20	26
W	4.3	5.5	5.5	6.8	9	11	14
X	8	9.5	9.5	11	14	17.5	20
Y	G1/8	G1/8	G1/8	G1/8	G1/4	G1/4	G3/8
Z1	R3	R3	R3	R5	R6	R7	R10
PE	12	16	20.4	23	28	33.5	43
PC	8	8	10	12	14	19	24
PD	9	9	11	13	15	20	25
AB	9	10.5	10.5	10.5	12.5	12.5	14.5
O型圈 O-Ring	P7	P7	P7	P7	P8	P8	P10
PK	M3	M3	M4	M5	M6	M6	M8
PG	6 ^{+0.018} ₀	6 ^{+0.018} ₀	8 ^{+0.022} ₀	10 ^{+0.022} ₀	12 ^{+0.027} ₀	16 ^{+0.027} ₀	20 ^{+0.033} ₀
PM	113	121.5	137	151	172	195	236.5
HD	3+0.0140	4+0.0180	4+0.0180	5+0.0180	6+0.0180	6+0.0180	6+0.0180
定位銷	Φ3(h8)×8	Φ4(h8)×10	Φ4(h8)×10	Φ5(h8)×10	Φ6(h8)×12	Φ6(h8)×12	Φ6(h8)×14

規格參數表 SPECIFICATION

型號	理論夾持力 (70 kgf/cm ²)	轉角行程	夾緊行程	總行程	推出容積	拉入容積	推出受壓面積	拉入受壓面積	使用溫度範圍	使用液體
MODEL	CLAMPING FORCE AT 70 kgf/cm ² (kgf)	SWING STROKE (mm)	CLAMPING STROKE (mm)	TOTAL STROKE(mm)	CYLINDER CAPACITY UNCLAMP(cm ³)	CYLINDER CAPACITY CLAMP(cm ³)	EFF.PISTON AREA UNCLAMP(cm ²)	EFF.PISTON AREA CLAMP(cm ²)	RANGE OF TEMPERATURE(°C)	USABLE FLUID
CHA-036P	238	8	8	16	7.9	5.4	4.9	3.4	0~+70°C	相當於ISO黏度等級的ISO-VG-32一般液壓油 General Hydraulic Oil Equivalent to ISO-VG-32
CHA-040P	284.2	10	8	18	11.9	7.4	6.6	4.06	0~+70°C	
CHA-048P	434	12.5	8	20.5	20.9	12.7	10.2	6.2	0~+70°C	
CHA-055P	721	13.5	10	23.5	35.7	24.2	15.2	10.3	0~+70°C	
CHA-065P	880	16.5	10	26.5	52	33.3	19.63	12.57	0~+70°C	
CHA-075P	1631	18.5	10	28.5	94.6	66.4	33.17	23.3	0~+70°C	
CHA-105P	2583	23	13	36	190.1	132.9	52.78	36.9	0~+70°C	